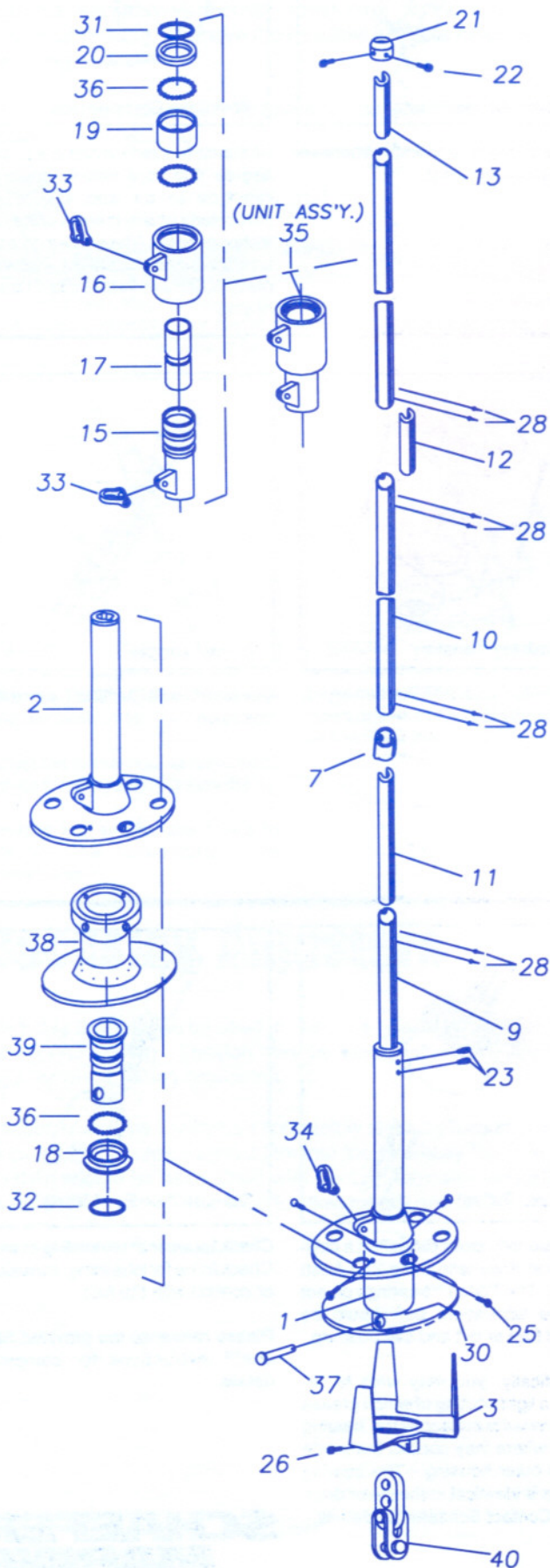


# System 750 Parts List



750 PARTS LIST			
ITEM	DESCRIPTION	PART #	QTY.
1	DRUM BEARING HOUSING	33-035-A	1
2	TORQUE TUBE	33-034-A2	1
3	COLLAR BRACKET PLATE	45-232-A	1
4			
5			
6			
7	SAIL FEEDER	45-231	1
8			
9	BOTTOM FURL EXTRUSION	14-047-01	1
10	STANDARD FURL EXTRUSION - 72" LG.	14-047-02	5
11	LOWER JOINT	14-048-01	1
12	STANDARD JOINT	14-048-02	5
13	UPPER JOINT (NO RIVET HOLES)	14-048-03	1
14			
15	UPPER SWIVEL INNER BEARING RACE	53-054-A	1
16	UPPER SWIVEL HOUSING	53-053	1
17	SWIVEL BEARING LINER	25-264	2
18	BOTTOM BEARING RACE	53-055-01	1
19	BEARING RACE	53-056	1
20	TOP BEARING RACE	53-057	1
21	TOP CAP	32-020	1
22	SET SCREW	22-060	2
23	STOP PIN SCREW	24-049	2
24			
25	FLAT HD. SCREW 1/4-20 X 1/2" LG.	22-131	4
26	SET SCREW 1/4"-20	22-272	1
27			
28	RIVET	30-067	28
29			
30	COTTER PIN	51-012-16	1
31	RETAINER RING	51-244	1
32	RETAINER RING	51-243	1
33	SHACKLE	93-12	2
34	BOW SHACKLE	93-03	1
35	UPPER SWIVEL UNIT ASS'Y.	53-053-A	1
36	BALL BEARINGS	25-253	-
37	CROSS PIN	51-242	1
38	DRUM HOUSING	33-035	1
39	DRUM INNER RACE	53-055	1
40	TOGGLE LINK W/ 1/4" DIA. PIN	46-035-01	1
-	OR TOGGLE LINK W/ 5/16" DIA. PIN	46-035-02	-
-	OR TOGGLE LINK W/ 3/8" DIA. PIN	46-035-03	-
-	OR TOGGLE LINK W/ 7/16" DIA. PIN	46-035-04	-
41	HALF LENGTH FURL EXTRUSION	14-047-03	1



**IDEA**  
 System 750 parts listing includes all new part numbers as of 5/97.  
 Please contact Schaefer for furlers manufactured prior to this date.

