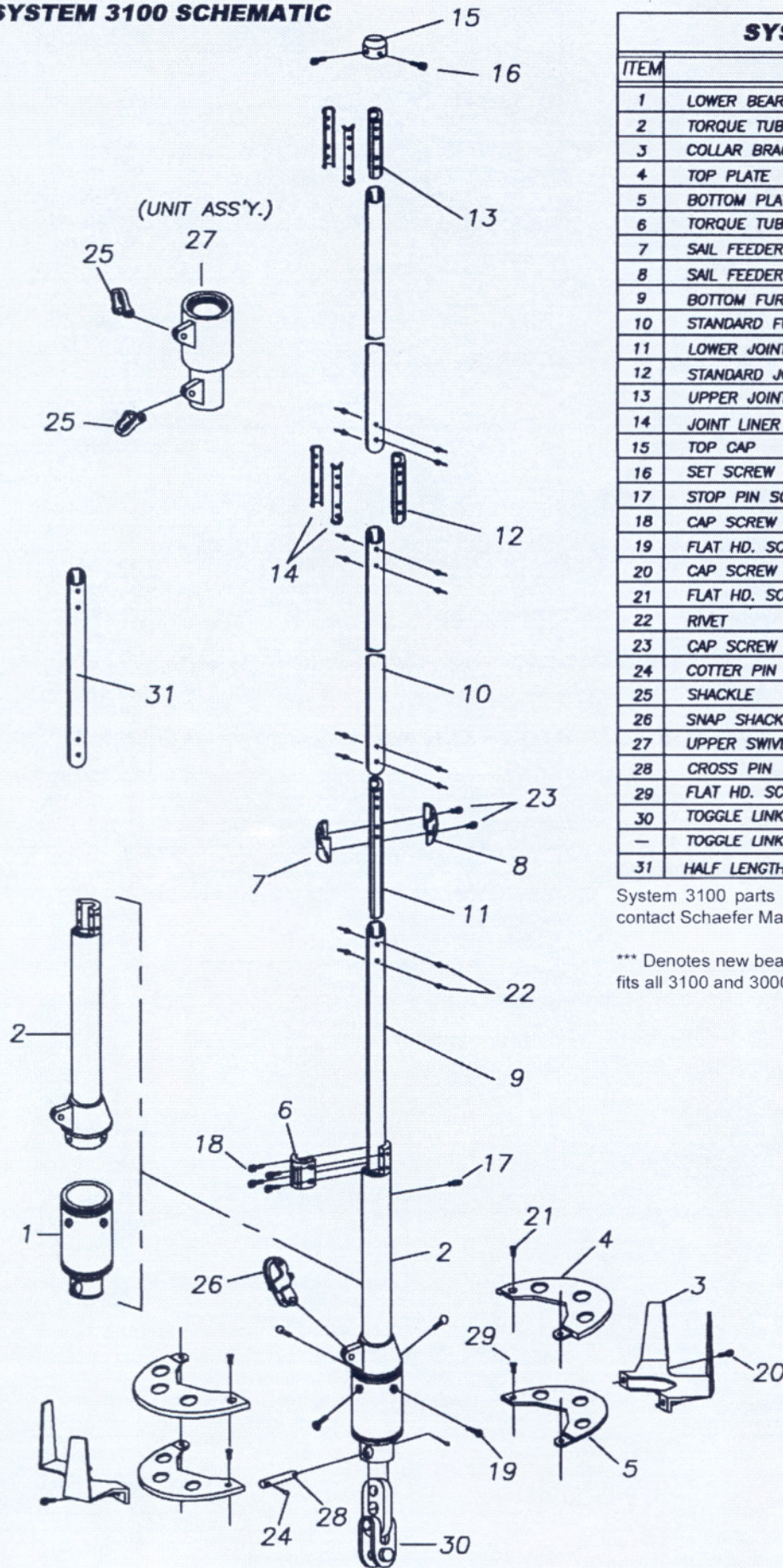


# SYSTEM 3100 SCHEMATIC



## SYSTEM 3100 PARTS LIST

ITEM	DESCRIPTION	PART #	QTY.
1	LOWER BEARING ASSEMBLY***	33-053-A	1
2	TORQUE TUBE	33-027-A1	1
3	COLLAR BRACKET PLATE	45-226-A	2
4	TOP PLATE	35-326	2
5	BOTTOM PLATE	35-325	2
6	TORQUE TUBE CLAMP	32-016-01	1
7	SAIL FEEDER FRONT HALF	45-227-M01	1
8	SAIL FEEDER BACK HALF	45-227-M02	1
9	BOTTOM FURL EXTRUSION	14-057-01	1
10	STANDARD FURL EXTRUSION - 84" LONG	14-057-02	8
11	LOWER JOINT	14-067-01	1
12	STANDARD JOINT	14-067-02	8
13	UPPER JOINT	14-067-03	1
14	JOINT LINER	25-290	18
15	TOP CAP	32-015	1
16	SET SCREW	22-060	2
17	STOP PIN SCREW	24-043	1
18	CAP SCREW 1/4-20	24-058	4
19	FLAT HD. SCREW 1/4-20 X 5/8" LG.	22-313	5
20	CAP SCREW 1/4-20	24-058	2
21	FLAT HD. SCREW 10-24 X 3/8" LG.	22-309	2
22	RIVET	30-069	80
23	CAP SCREW	24-055	2
24	COTTER PIN	51-012-18	2
25	SHACKLE	93-14	2
26	SNAP SHACKLE	45-30	1
27	UPPER SWIVEL UNIT ASS'Y.***	33-052-A1	1
28	CROSS PIN	51-224	1
29	FLAT HD. SCREW 10-24 X 5/16" LG.	22-328	2
30	TOGGLE LINK W/ 5/8" DIA PIN	46-022	1
-	TOGGLE LINK W/ 3/4" DIA PIN	46-023	1
31	HALF LENGTH FURL EXTRUSION (42" LONG)	14-057-03	1

System 3100 parts listing reflects new part numbers as of 2005. Please contact Schaefer Marine for furlers manufactured prior to this year.

\*\*\* Denotes new bearing race design (# 33-053-A). This new bearing design fits all 3100 and 3000 model furlers.

