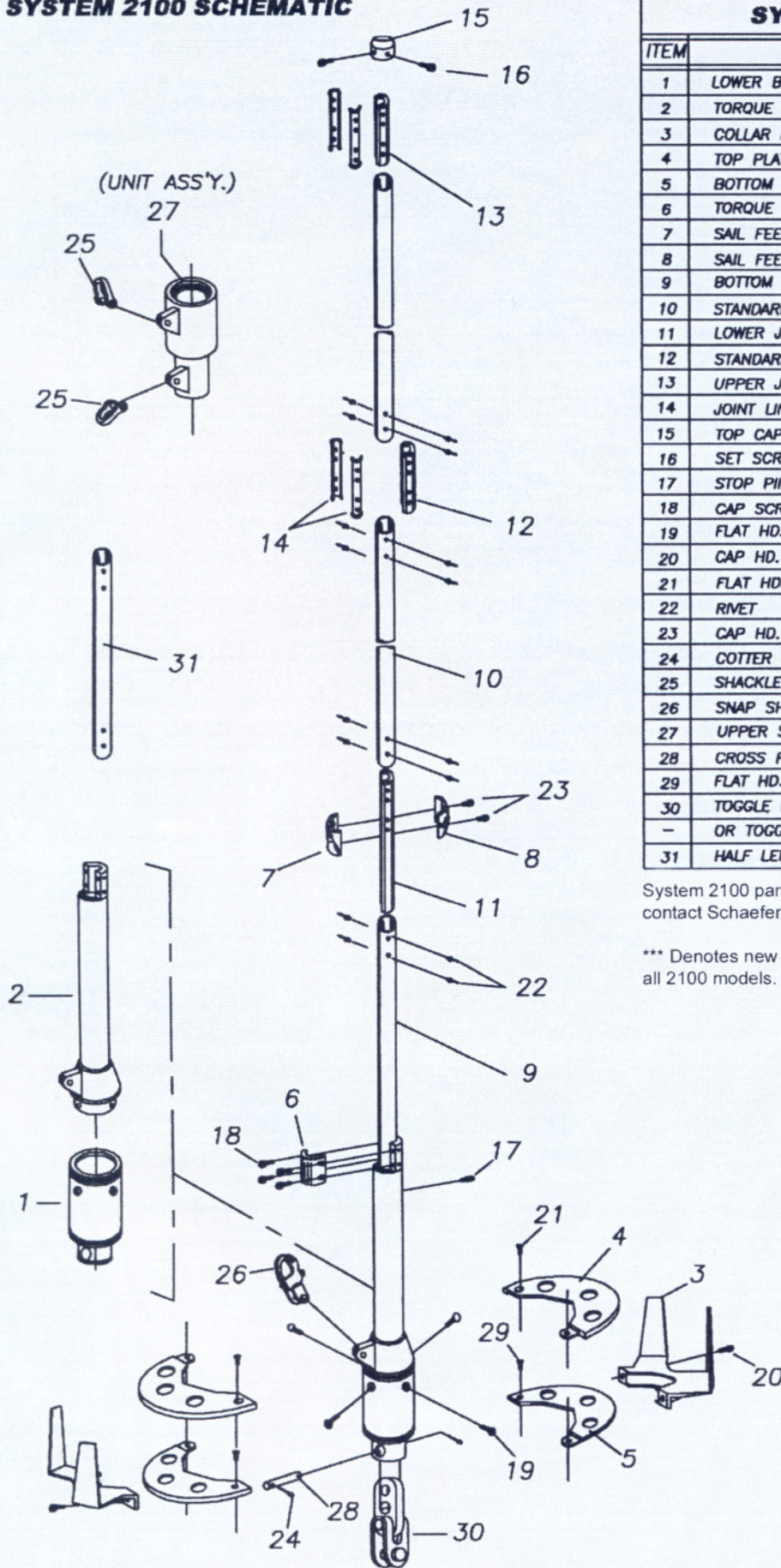


# SYSTEM 2100 SCHEMATIC



## SYSTEM 2100 PARTS LIST

ITEM	DESCRIPTION	PART #	QT'Y.
1	LOWER BEARING ASSEMBLY***	33-049-A	1
2	TORQUE TUBE	33-039-A1	1
3	COLLAR BRACKET PLATE	45-236-A	2
4	TOP PLATE	35-322	2
5	BOTTOM PLATE	35-321	2
6	TORQUE TUBE CLAMP	32-024-01	1
7	SAIL FEEDER FRONT HALF	45-235-01	1
8	SAIL FEEDER BACK HALF	45-235-02	1
9	BOTTOM FURL EXTRUSION	14-054-01	1
10	STANDARD FURL EXTRUSION - 72" LONG	14-054-02	7
11	LOWER JOINT	14-061-01	1
12	STANDARD JOINT	14-061-02	7
13	UPPER JOINT	14-061-03	1
14	JOINT LINER	25-289	16
15	TOP CAP	32-023	1
16	SET SCREW	22-060	2
17	STOP PIN SCREW	24-045	1
18	CAP SCREW 10-24 X 5/8" LG.	24-057	4
19	FLAT HD. SCREW 1/4-20 X 5/8" LG.	22-313	4
20	CAP HD. SCREW 1/4-20	24-058	2
21	FLAT HD. SCREW 10-24	22-309	2
22	RIVET	30-067	70
23	CAP HD. SCREW 10-32	24-055	2
24	COTTER PIN	51-012-18	2
25	SHACKLE	93-11	2
26	SNAP SHACKLE	45-25	1
27	UPPER SWIVEL UNIT ASS'Y.***	33-054-A1	1
28	CROSS PIN	51-250	1
29	FLAT HD. SCREW 10-24 X 5/16" LG.	22-328	2
30	TOGGLE LINK W/ 1/2" DIA PIN	46-016	1
-	OR TOGGLE LINK W/ 5/8" PIN	46-018	-
31	HALF LENGTH FURL EXTRUSION	14-054-03	1

System 2100 parts listing reflects new part numbers as of July 2004. Please contact Schaefer Marine for furlers manufactured prior to this date.

\*\*\* Denotes new bearing design (# 33-049-A). This new bearing design fits all 2100 models. Call Schaefer for System 2000 jib furlers.

