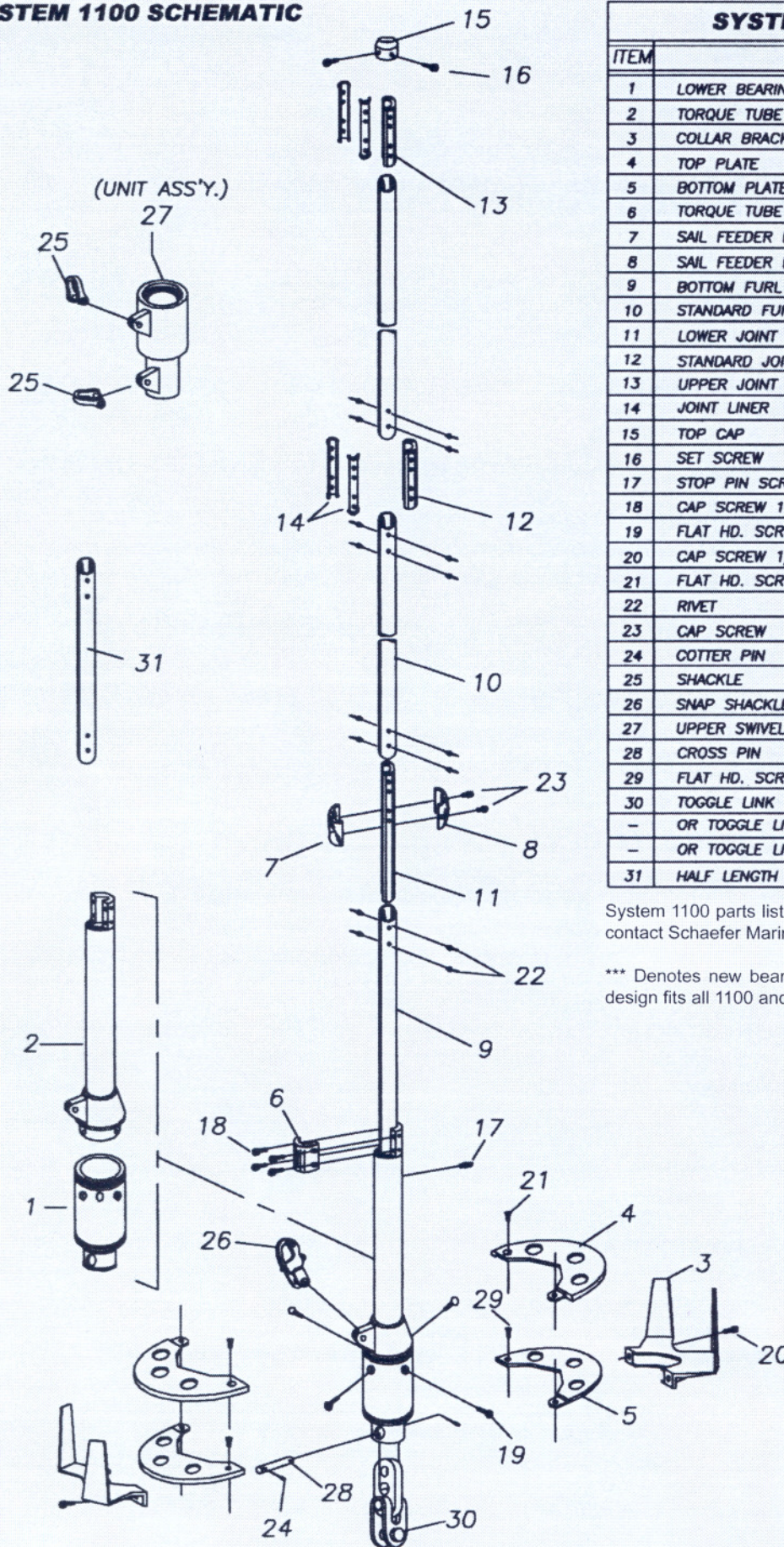


SYSTEM 1100 SCHEMATIC



SYSTEM 1100 PARTS LIST

ITEM	DESCRIPTION	PART #	QTY.
1	LOWER BEARING ASSEMBLY***	33-051-A	1
2	TORQUE TUBE	33-030-A1	1
3	COLLAR BRACKET PLATE	45-230-A	2
4	TOP PLATE	35-328	2
5	BOTTOM PLATE	35-327	2
6	TORQUE TUBE CLAMP	32-025-02	1
7	SAIL FEEDER FRONT HALF	45-223-01	1
8	SAIL FEEDER BACK HALF	45-223-02	1
9	BOTTOM FURL EXTRUSION	14-034-M01	1
10	STANDARD FURL EXTRUSION - 72" LG.	14-034-M02	6
11	LOWER JOINT	14-060-01	1
12	STANDARD JOINT	14-060-02	6
13	UPPER JOINT (NO RIVET HOLES)	14-060-03	1
14	JOINT LINER	25-288-01	14
15	TOP CAP	32-014	1
16	SET SCREW	22-060	2
17	STOP PIN SCREW	24-045	1
18	CAP SCREW 10-24 X 5/8" LG.	24-057	4
19	FLAT HD. SCREW 1/4-20 X 1/2" LG.	22-131	4
20	CAP SCREW 1/4-20	24-058	2
21	FLAT HD. SCREW 10-24 X 1/4" LG.	22-352	4
22	RIVET	30-067	70
23	CAP SCREW	24-055	2
24	COTTER PIN	51-012-16	2
25	SHACKLE	93-12	2
26	SNAP SHACKLE	45-21	1
27	UPPER SWIVEL UNIT ASS'Y.***	33-050-A1	1
28	CROSS PIN	51-233	1
29	FLAT HD. SCREW 10-24x5/16"	22-328	1
30	TOGGLE LINK W/ 3/8" DIA. PIN	46-030-01	1
-	OR TOGGLE LINK W/ 7/16" DIA. PIN	46-030-02	-
-	OR TOGGLE LINK W/ 1/2" DIA. PIN	46-030-03	-
31	HALF LENGTH FURL EXTRUSION	14-034-M03	1

System 1100 parts listing reflects new part numbers as of 2005. Please contact Schaefer Marine for furlers manufactured prior to this year.

*** Denotes new bearing race design (# 33-051-A). This new bearing design fits all 1100 and 1000 model jib furlers.

